

## ANPR-PRO KIT

3MP at 30fps, 50M (164ft) IR Distance, 9-22mm Motorized Lens, P-iris, IK10 Vandal Proof, IP67 Weatherproof, Speed of Vehicles 0-100 k/hr (0-62 m/hr), License Plate Capture Network Camera



- SmartCatch Technology ensures excellent 24/7 performance while producing clear, consistent, and accurate license plate images
- Advanced ambient compensation eliminates headlight glare and minimizes exposed plates for improved ALPR accuracy
- Convenient image adjustment allows configuration for regional plate characteristics
- With LPR mode, the camera is able to isolate high-contrast license plate numbers from the moving vehicles to increase recognition accuracy. By switching to Overview mode, users can not only see license plates clearly, but also monitor the whole area with clear images day and night.
- The camera is specially designed for combating extreme weather conditions.

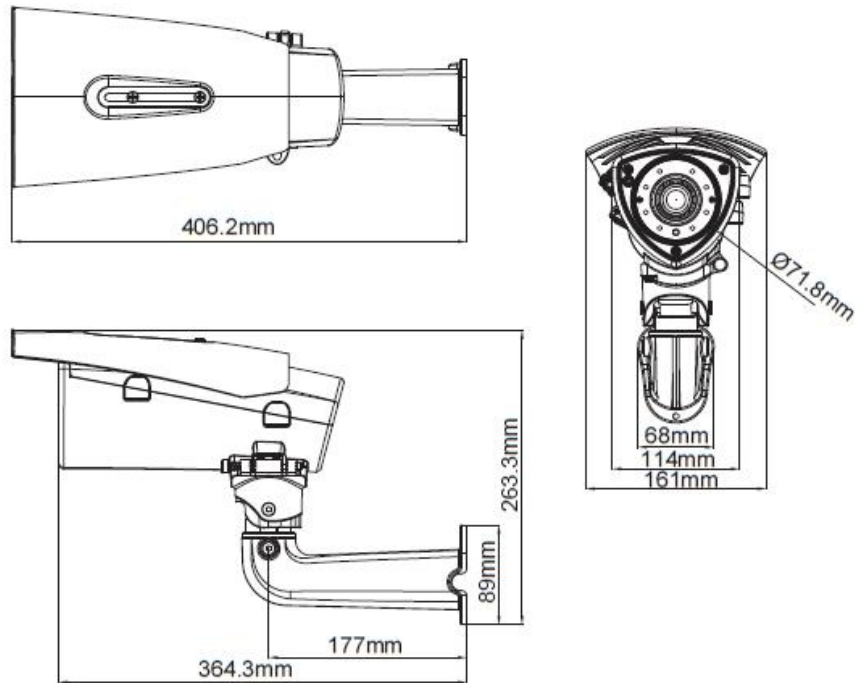
- LPR mode & Overview mode
- Vehicle speed 0-100 km/h (0-62 m/h)
- 1/3" Progressive Scan CMOS Sensor
- 3-Megapixel Resolution @ 30 fps, Full HD 1080P Resolution @ 60 fps
- 9-22mm Motorized Lens, F1.5, Advanced P-Iris
- IR Illuminator: 50M (164ft) IR Distance, Smart IR+
- Smart Filtering Function: Removable IR-cut Filter for Day and Night
- Extreme Wide Dynamic Range (WDR) with Multi Shutters (100 dB)
- Easy-to-install Bracket
- Hard Coated Cover with Rain-wash Coating
- Anti-Corrosion Powder Coating
- Sturdy Camera Body from Aluminum Die Casting
- IK10 Vandal Resistant
- IP67 Weatherproof
- Wide Operating Temperature for Extreme Weather Conditions -40°C to 60°C/-40°F to 140°F
- Triple Streams: H.264 Stream 1/H.264 Stream 2/MJPEG Stream 3
- Audio I/O Port, Alarm I/O Port, Micro SD Card Slot
- ONVIF Protocol

<b>Camera: Enigma-ANPR</b>	
Image Sensor	1/3" Progressive Scan CMOS Sensor
Effective Pixels	2048 (H) x 1536 (V)
Minimum Illumination	Color: 0.1 lux.; B/W: 0 lux. @ F1.5
License Plate	Reflective
License Plate Distance	15 – 20 meters (49 – 65 ft)
Speed of the Vehicle	0 – 100 km/h (0 – 62 m/h)
<b>Lens</b>	
Lens Type	Motorized Lens (Made in Japan)
Focal Length	9-22mm
Iris Control	P-Iris
Field of View	16.1°~36.5° (D)/12.5°~29.4° (H)/9.7°~24.8° (V)
<b>Image Setting</b>	
Image Adjustment	Brightness, Contrast, Color Saturation, Sharpness (value adjustment range 0 - 255)
Mirror/Flip	On/Off
Wide Dynamic Range	Off/Low/Middle/High
White Balance	Off/Auto/Fixed Outdoor/Incandescent/Florescent/Manual
Exposure	Auto/Anti-Flicker 50Hz/Anti-Flicker 60Hz/Locked (value adjustment range 0 - 255)
Shutter Speed	1/7 - 1/20000 sec.
AE Weights	Auto/Manual (5 zones, value adjustment range 0 - 10)
Sens Up	4x/8x/16x/32x (value adjustment range 1 - 512)
Day/Night	Auto/Forced color/Forced black & white/External day & night
Privacy Mask	2 colors (black & white), 3 zones
Chroma & Sharpness Suppression	On/Off
Noise Filter	On/Off (value adjustment range 1 - 10)
P-iris Control	Auto/Manual (value adjustment range 0 - 100)
ICR Control	Auto/Day mode/Night mode
IR LED Control	Auto/On/Off, Smart IR+, up to 30M (98ft), 850nm Wavelength
Gamma Control	Default/Manual (value adjustment range 0.01 - 1.00)
<b>Audio</b>	
Compression	G.711 8KHz/16 bits
Audio Mode	Two-way audio: Line-in x 1/Line-out x 1
<b>Video</b>	
Compression	H.264/M-JPEG
Streaming	H.264 Stream 1/H.264 Stream 2/MJPEG Stream 3

Image Resolution/Frame Rate	3MP (2048 x 1536) @30 fps, HD 1080P (1920 x 1080) @60 fps 720P (1280 x 720), 720 x 576, D1 (720 x 480), VGA (640 x 480), QVGA (320 x 240) @ 30 fps
<b>Network</b>	
Interface	10/100/1000 Mbps Ethernet, RJ-45
Protocol	HTTP, TCP/IP, UDP, RTP, RTSP, FTP, SMTP, DHCP, DNS, DDNS, NTP, uPnP, ONVIF, IPv4/v6
Security	HTTP encryption/Multi-level user management (15 users)/IP address filtering
Bit Rate	30 - 20000 Kbit/s
Connectivity	ONVIF Profile S
DDNS Settings	Disable/Dyn/NO-IP/DNS Exit/DtDNS
Multicast Function	Yes
<b>Event Triggers &amp; Actions</b>	
Motion Detection	5x5 zones (sensitivity range 1 - 100)
Tempering Detection	On/Off (sensitivity range 1 - 100)
Ethernet Lost Detection	On/Off
Face Detection	On/Off (threshold 1 - 9)
Actions	Save stream to SD card, upload stream to FTP server & network storage (3 seconds pre-recording, 600 seconds post-recording, AVI & JPEG format), e-mail notification, alarm output
<b>General</b>	
Audio I/O	3.5 mm phone jack x 2
Alarm I/O	Input x 1, Output x 1
Micro SD Card Slot	Yes
IR Illuminator	Up to 50M (164ft), 850nm Wavelength
IR Control	Smart IR+
Weatherproof	IP67
Vandal Resistant	IK10
Operating Temperature	-40°C to 60°C (-40°F to 140°F)
Humidity	90% RH (No Condensation)
Power Source	PoE+ (IEEE 802.3at), DC 12V/AC 24V
Power consumption	21W max.
Dimension	Φ 406.2mm (D) x 161mm (W) x 263.3mm (H)
Weight	2 kg
Certification	CE/FCC



# Dimension Drawing



**Enigma  
GUARD**  
SECURITY SERVICES

Дежурен телефон:  
**0700 17 160**  
support@enigma-guard.com

1510 София, жк. Хаджи Димитър,  
ул. Теофил Ганев № 5 Б  
Моб. ОДЦ+359 892 218 567  
тел.: + 359 2 419 77 77  
факс: + 359 2 419 77 49  
www.enigma-guard.com

**СОТ ВИДЕО ПОЖАР**